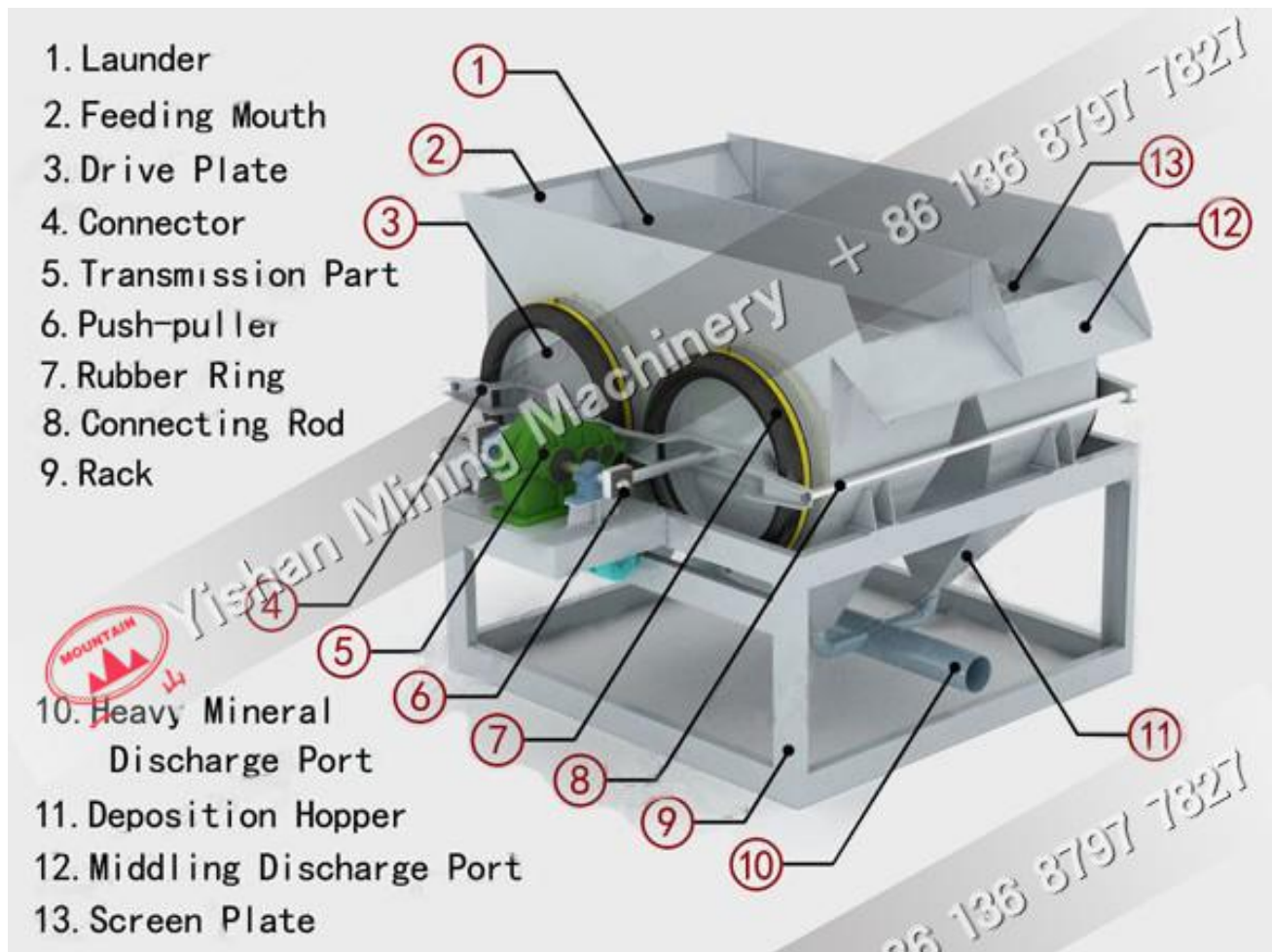


Diaphragm jig



1、Application

Double bucket diaphragm jig is divided into a left and a right machine jig two types. The jig is fixed. Suitable for separating metal ores, such as tungsten, gold placer, featured tin, not only can be used for selection of fine materials, can also be used to choose the coarse material, the maximum size for the 6-8mm, but in the sorting Placer in the individual case, the maximum particle size of 12mm.

2、Structure

LTS300 x 450 double bucket diaphragm jig structure consists of: the fuselage, driving device, a water separator, the diaphragm and the valve and other main parts, the body size of two jumping machine bucket, each diaphragm struggle with no bottom plate will be divided into its jig area and the diaphragm area two parts. Jigging process is on the rubber diaphragm reciprocating up and down caused by medium (water) are encouraged to. The motor through the belt drive large leather wheel rotates, the eccentric shaft connecting rod moves up and down, and the connecting rod is connected to the rocker arm can move up and down, the rocker arm and two connecting rod rubber diaphragm so that the diaphragm, get up and down reciprocating motion, to jig.

According to the processing of ore size, can change the connecting rod stroke and selecting different

Jiangxi yishan International Mining Machinery Manufacturing Co.,Ltd

Engineer: Baron Mobile\Whatsapp\WeChat:008613687977827 baron@jxyishan.com

stroke, in order to obtain the best jigging effect. Change the flush times is the replacement of a small belt wheel, there are two kinds of stroke: 322 times / min; 420 times / minute. Method for selecting stroke loose the locking screws and nuts, pull out the pin, rotating eccentric adjusting sleeve and the eccentric shaft, the relative position between, can have 11 different strokes (0, 25.3mm).

Because the work screen above plus a sieve, the jig can be used for processing grain size inhomogeneity of material.(Note: This screen according to the requirement of orders can not supply) of crude ore is fed into the jigging chamber, as the diaphragm effect on agitation, mineral particles in the medium are separate by specific gravity; thin and heavy mineral grains by artificial bed particle clearance and screen, sinking in jig bucket storage ores, upper crude and light particles (mineral) is medium flow into the screen at the end of the discharge mouth, because after the jigging chamber than the previous jigging chamber positioned low 50mm, so the light particles after anterior caudal plate overflow into the posterior chamber, again by jigging. According to the need to regulate the tail plate position, in order to control the discharging amount.

Storage hopper concentrate periodically by discharging tube.

3、Specification

Name	Number of jig rooms	Area of jig room (m ²)	Size of feed particle (mm)	Output (t/h)	Lift (m)	Wash times	Measure of additional water(t/h)	Pressure (kg/m ²)	Motor		Weight (kg)
									Model	Power (kw)	
100×150	1	0.015	3	0.018-0.6	-	420	-	1-1.5	Y80L-4	0.55	130
300×450	2	0.27	12	3-6	0-26	322	2-4	1-1.5	Y90S-4	1.1	745
1000×1000	2	2	1-5	10-25	0-26	200-350	60-80	0.6-2	Y100L-6	1.5	1700
670×920	2	1.44	4-8	7-10	18-24	240-300	-	-	-	-	-

4、Notes for use

- 1) Before start to check all parts of the screw is tightened, the bucket body can tap, water leakage.
- 2) The pressure oil Tsui Department should pay attention to regular lubricating oil.
- 3) The empty running normally, allowed load operation.
- 4) Rubber diaphragm and a triangle belt no oil contamination.

Jiangxi yishan International Mining Machinery Manufacturing Co.,Ltd
Engineer: Baron Mobile\Whatsapp\WeChat:008613687977827 baron@jxyishan.com

