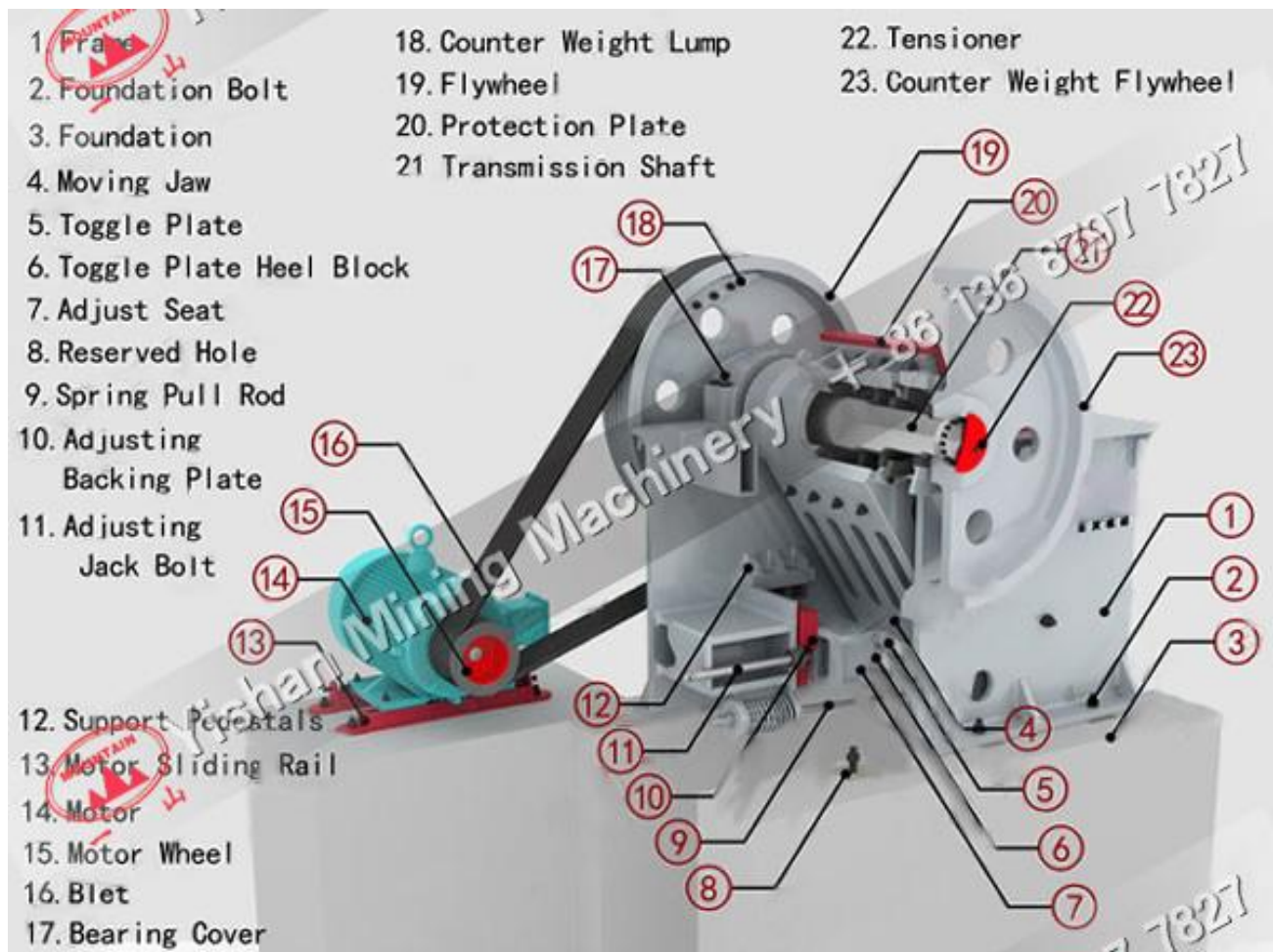


Jaw crusher



1、Application

The series crusher is mainly used for metallurgical, mining, chemical, cement, construction, ceramics and refractories industries as well as the broken and crushing various ores and rocks with hard.

The series of crusher is suitable for crushing strength of not more than 300MPa of soft and hard rock, crushed materials must not be greater than the maximum degree of technical parameters required

2、Feature

1) Jaw crusher, great crushing ratio, uniform finished product size, simple structure, reliable work, convenient repair, operating costs and economic characteristics. Jaw crusher is widely used in mining, smelting, building materials, highway, railway, water conservancy and chemical industries, breaking strength is not more than 320 MPa for various materials.

2) Jaw crusher -- also known as the tiger mouth. The crusher has the advantages of simple structure, reliable work, so be widely used. It is used in breaking hard and medium hard materials. In the concentrator, much as crushed and broken equipment.

3) Jaw crusher ore process, joined to the jaw crusher cavity (from the fixed jaw and the movable jaw plate space) in the material, the movable jaw plate for periodic reciprocating swing, when the movable jaw plate near the fixed jaw plate, the material by crushing, splitting and bending fracture of the role was broken.

Jiangxi yishan International Mining Machinery Manufacturing Co.,Ltd

Engineer: Baron Mobile\Whatsapp\WeChat:008613687977827 baron@jxyishan.com

When the movable jaw plate away from the fixed jaw, broken into smaller than the discharging mouth size material, depending on their weight from the lower discharge outlet. Located in the crushing chamber is also not broken up into small enough material, falling to a crushing chamber of lower jaw plate, again by the role and continue to be broken.

3、 Structure

1) Simple swing jaw crusher is mainly composed of a machine frame and a supporting device, the crushing work mechanism, driving mechanism, insurance device and discharging outlet adjusting device such as a few parts.

2) Complex sway jaw crusher is mainly used for ore crushing. But in the medium, small ore dressing plant, also as the first section of the crushing equipment, the mine mouth width of up to 900mm, gape width of 10-150mm, 1-450t / h productivity. The crusher of the movable jaw hanging shaft is an eccentric shaft, so the connecting rod and the movable jaw with. Movable jaw plate through a ball bearing is directly hung on the eccentric shaft, the eccentric shaft is supported on the frame of the two ball bearings, discharge mouth size with the wedge block to adjust, the board has only one block, lining boards are respectively arranged on the movable jaw and the fixed jaw, the surface is curved. Other parts and simple swing jaw type crusher is similar to. When the eccentric shaft rotates the movable jaw to the upper end and the lower end of the trajectory is a circular, for oval track. It is called the complex swing. Its ore in addition to crushing effect, and the grinding effect. Therefore, higher productivity, energy consumption is less. The ores have crushed the phenomenon is more serious, liner wear faster.

4、 Working principle

The series of jaw crusher for curved extrusion type, motor drive belt and pulley, the movable jaw through the eccentric shaft to move up and down, when the movable jaw rises board and the movable jaw angle becomes larger, thereby pushing the movable jaw plate to the fixed jaw plate close to, at the same time the material being extruded, rubbed, run multiple broken; when the movable jaw down, board and the movable jaw angle becomes small, movable jaw plate in the rod, under the action of a spring away from the fixed jaw plate, the broken material from the crushing cavity down from the mouth, as the motor rotates continuously crusher jaw to make periodic crushing and discharging, implementation batch production.

5、 Advantage

- 1) Deep crushing cavity and no dead time, improves the feeding ability and yield;
- 2) The big crushing ratio, uniform finished product size;
- 3) Shim adjusting device of discharge opening, reliable and convenient, large adjusting range, increase the flexibility of the device;
- 4) Lubricating system is safe and reliable, convenient for changing components, small maintenance workload;
- 5) Has the advantages of simple structure, reliable work, low operation cost.
- 6) Single energy-saving equipment energy-saving 15% ~ 30%, more than double the system energy saving;
- 7) Discharge outlet adjustment range, can meet the requirements of different users;
- 8) Low noise, less dust.



6、 Specification

Jiangxi yishan International Mining Machinery Manufacturing Co.,Ltd

Engineer: Baron

Mobile\Whatsapp\WeChat:008613687977827

baron@jxyishan.com

Model	Inlet (L×W) (mm)	Adjusting range of the outlet (mm)	Max. particle size (mm)	Capacity (t/h)	Rotating speed of the shaft (r/min)	Motor		Weight (t)
						Model	Power (kw)	
PE150×250	150×250	10-40	125	1-3	285	Y132S-4	5.5	1.16
PE250×400	250×400	20-80	210	5-20	275	Y180L ₁ -6	15	2.57
PE400×600	400×600	40-100	350	25-64	250	Y225M-6	30	6.48
PE600×900	600×900	75-200	480	56-192	250	YR280M-8	75	16.80
PE750×1060	750×1060	80-140	630	110-242	250	Y315M ₂ -8	90	29.60
PE900×1200	900×1200	100-200	750	128-256	250	JR126-8	110	50.00